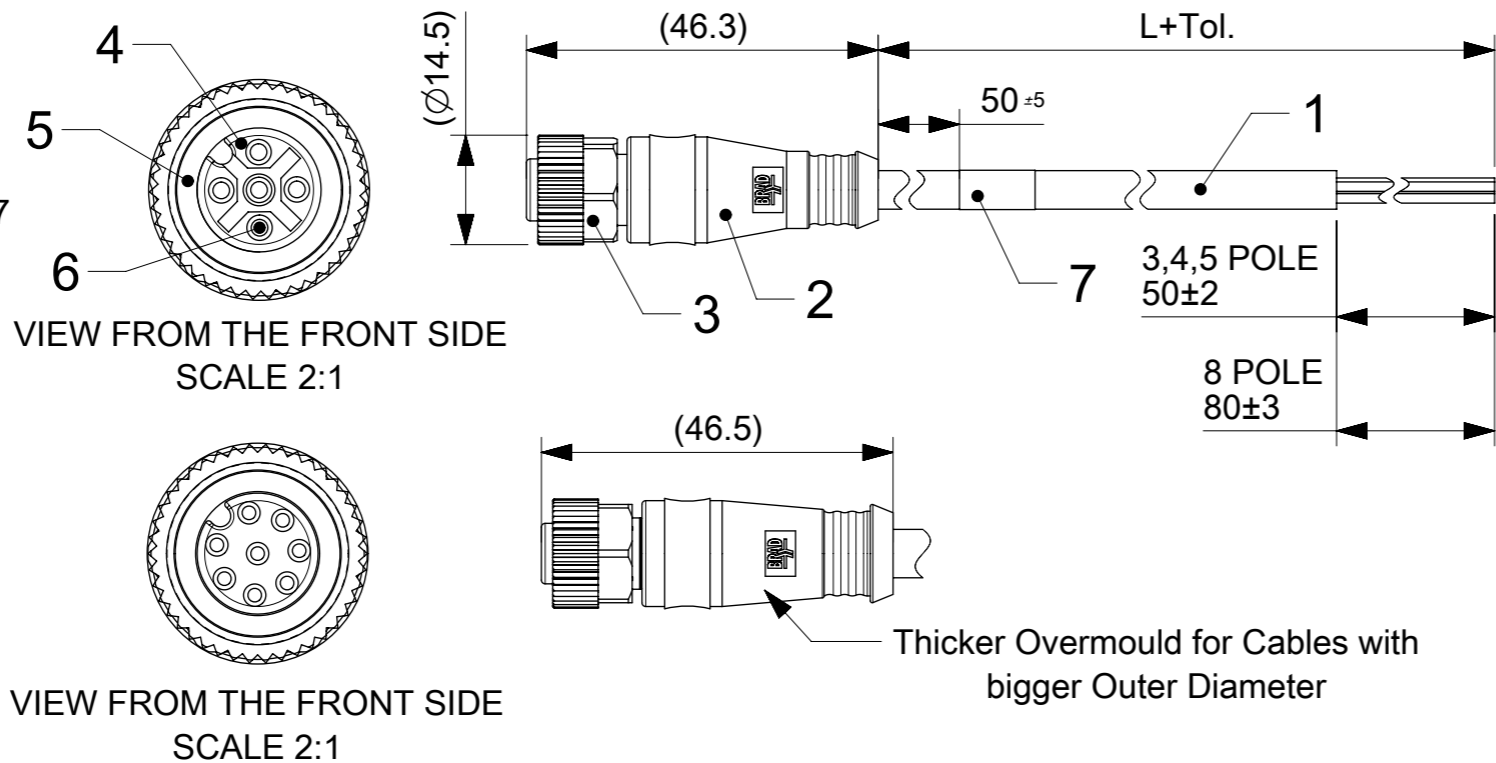


NOTES:
 RATED VOLTAGE:
 3, 4 contacts 250V
 5 contacts 60V
 8 contacts 30V
 RATED CURRENT:
 3, 4, 5 contacts 4A
 8 contacts 2A
 PROTECTION CLASS: IP 67



REVISION A	TRANSFERRED TO ECTR / ADDED NEW PN
REVISION A1	ADDED NEW CABLE & NEW PN
REVISION A2	ADDED NEW PN
REVISION A3	ADDED NEW PN
REVISION A3	ADDED NEW PN

CONTACTS POSITION FRONT VIEW:

	3 CONTACTS	4 CONTACTS	5 CONTACTS	8 CONTACTS																																																
FEMALE																																																				
CONNECTIONS	<table border="1"> <tr><th>PIN</th><th>WIRE</th></tr> <tr><td>1</td><td>BROWN</td></tr> <tr><td>3</td><td>BLUE</td></tr> <tr><td>4</td><td>BLACK</td></tr> </table>	PIN	WIRE	1	BROWN	3	BLUE	4	BLACK	<table border="1"> <tr><th>PIN</th><th>WIRE</th></tr> <tr><td>1</td><td>BROWN</td></tr> <tr><td>2</td><td>WHITE</td></tr> <tr><td>3</td><td>BLUE</td></tr> <tr><td>4</td><td>BLACK</td></tr> </table>	PIN	WIRE	1	BROWN	2	WHITE	3	BLUE	4	BLACK	<table border="1"> <tr><th>PIN</th><th>WIRE</th></tr> <tr><td>1</td><td>BROWN</td></tr> <tr><td>2</td><td>WHITE</td></tr> <tr><td>3</td><td>BLUE</td></tr> <tr><td>4</td><td>BLACK</td></tr> <tr><td>5</td><td>GREY OR GREEN/YELLOW</td></tr> </table>	PIN	WIRE	1	BROWN	2	WHITE	3	BLUE	4	BLACK	5	GREY OR GREEN/YELLOW	<table border="1"> <tr><th>PIN</th><th>WIRE</th></tr> <tr><td>1</td><td>WHITE</td></tr> <tr><td>2</td><td>BROWN</td></tr> <tr><td>3</td><td>GREEN</td></tr> <tr><td>4</td><td>YELLOW</td></tr> <tr><td>5</td><td>GREY</td></tr> <tr><td>6</td><td>PINK</td></tr> <tr><td>7</td><td>BLUE</td></tr> <tr><td>8</td><td>RED</td></tr> </table>	PIN	WIRE	1	WHITE	2	BROWN	3	GREEN	4	YELLOW	5	GREY	6	PINK	7	BLUE	8	RED
PIN	WIRE																																																			
1	BROWN																																																			
3	BLUE																																																			
4	BLACK																																																			
PIN	WIRE																																																			
1	BROWN																																																			
2	WHITE																																																			
3	BLUE																																																			
4	BLACK																																																			
PIN	WIRE																																																			
1	BROWN																																																			
2	WHITE																																																			
3	BLUE																																																			
4	BLACK																																																			
5	GREY OR GREEN/YELLOW																																																			
PIN	WIRE																																																			
1	WHITE																																																			
2	BROWN																																																			
3	GREEN																																																			
4	YELLOW																																																			
5	GREY																																																			
6	PINK																																																			
7	BLUE																																																			
8	RED																																																			

FOR OPTION SEE - NUMERICAL CODE - ON SHEET 2

ITEM	QTY.	DESCRIPTION	MATERIAL	FINISH
7	1	LABEL YE	VINYL	-
6	3/4/5/8	CONTACT FE	BRASS	GOLD OVER Ni-PLATED
5	1	GASKET RD	FPM	-
4	1	INSERT M12 FE XP BK	PUR	-
3	1	COUPLING NUT M12 FE	SEE SHEET 2	SEE SHEET 2
2	-	OVERMOULDING BK	TPU	-
1	-	CABLE	SEE SHEET 2	-

THIS DRAWING CONTAINS INFORMATION THAT IS PROPRIETARY TO MOLEX ELECTRONIC TECHNOLOGIES, LLC AND SHOULD NOT BE USED WITHOUT WRITTEN PERMISSION

EC NO: 171147 DRWN: GMAJCHER CHK'D: MIWASIECZKO APPR: MIWASIECZKO	2018/01/19	2018/01/23	2018/01/23	GENERAL TOLERANCES (UNLESS SPECIFIED) ANGULAR TOL ± ° 4 PLACES ± 3 PLACES ± 2 PLACES ± 1 PLACE ± 0 PLACES ± DRAFT WHERE APPLICABLE MUST REMAIN WITHIN DIMENSIONS	DIMENSION UNITS mm	SCALE 1:1	 CSE M12 XP AC FE STR WSOR XM SE UNSH BK PRODUCT CUSTOMER DRAWING	
	DRWN BY AKONDRACIUK	DATE 2016/11/26	CHK'D BY		DATE			
	APPR BY MIWASIECZKO	DATE 2016/12/06	DRAWING SIZE A3		THIRD ANGLE PROJECTION			
	SERIES 120065	MATERIAL NUMBER SEE SHEET 3	CUSTOMER					
RELEASE STATUS P1	RELEASE DATE 2018/01/23	07:30:02			DOCUMENT NUMBER 1200652251	DOC TYPE PSD	DOC PART 00P	SHEET NUMBER 1 OF 3

ENGINEERING NO - NUMERICAL CODE (Available parts see PART LIST table. Other parts available upon request).

8 0 X 0 0 0 B X X M X X X X

88 = M12x1
SINGLE ENDED

POLES:
3 = 3 POLES
4 = 4 POLES
5 = 5 POLES
8 = 8 POLES

HEADER:
000 = PLUG FEMALE STRAIRIGHT

CABLE TYPE:
SEE TABLE

UNIT:
M = METER

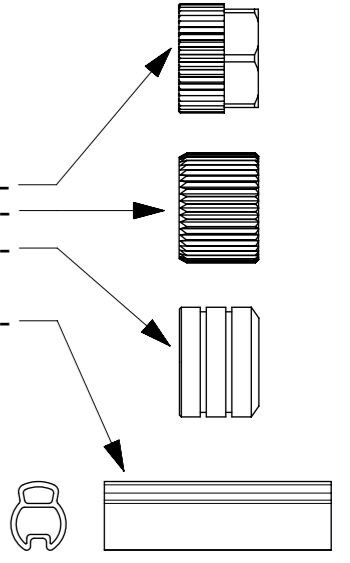
LENGTH:
EXAMPLE:
010 = 1 m
050 = 5 m
100 = 10 m

OPTIONS

Overmold color:
Blank (Standard)=Black
A=Grey / G=Black / Y=Yellow / R=Red

Coupling Nut:
Blank (Standard)=Knurled/Hex Brass, Ni Plated
5=Knurled Derlin
7=Knurled Brass Ni Plated, Teflon Coated

H= 2 pcs. of I/D Carrier PVC Transparent
(Cables Ixx & P82 always with
2 pcs. I/D Carrier)



CABLE INFORMATION (for more information see Cable Data Sheet).

A1

CABLE TYPE	NO. OF WIRES	CROSS SECTION	CABLE JACKET	UL	CSA	STATIC: TEMP. / BENDING RADIUS	DYNAMIC: TEMP. / BENDING RADIUS	DRAG CHAIN: TEMP. / BENDING RADIUS	DRAG CHAIN	CABLE SPEC. DRAWING
B30	3 / 4 / 5	0.34mm ²	TPU Black	UL 21215/758	C22.2 I/II A/B 80°/600V	-40°C to +90°C 5xO.D.	-25°C to +80°C 7.5xO.D.	-5°C to +60°C 7.5xO.D.	up to 5 000 000 cycles at temp 20°C	SD-120209-001
B33	4 / 5	0.34mm ²	TPU Gray							SD-120209-001
B36	4 / 5	0.34mm ²	TPU Orange							SD-120209-001
B39	5	0.75mm ²	TPU Gray							n/a
B41	8	0.25mm ²	TPU Black							SD-120209-006
B42	5	0.34mm ²	TPU Black							SD-120209-001
B49	8	0.25mm ²	TPU Orange							SD-120209-006
B55	3 / 4 / 5	0.34mm ²	TPU Yellow							n/a

OVER	UP TO AND INCLUDING	TOLERANCE
0	1000	+40 0
1000	5000	+60 0
5000	10000	+80 0
10000	20000	+140 0
20000	30000	+160 0
30000	>	+1% OF LENGTH

RELEASE STATUS P1 RELEASE DATE 2018/01/23 07:30:02

THIS DRAWING CONTAINS INFORMATION THAT IS PROPRIETARY TO MOLEX ELECTRONIC TECHNOLOGIES, LLC AND SHOULD NOT BE USED WITHOUT WRITTEN PERMISSION

EC NO: 171147 DRWN: GMAJCHER CHK'D: MIWASIECZKO APPR: MIWASIECZKO	2018/01/19	GENERAL TOLERANCES (UNLESS SPECIFIED) ANGULAR TOL ± ° 4 PLACES ± 3 PLACES ± 2 PLACES ± 1 PLACE ± 0 PLACES ± DRAFT WHERE APPLICABLE MUST REMAIN WITHIN DIMENSIONS	DIMENSION UNITS	SCALE		
	2018/01/23		mm	1:1		
	2018/01/23		DRWN BY	DATE		CSE M12 XP AC FE STR WSOR XM SE UNSH BK
			AKONDRACIUK	2016/11/26		
			CHK'D BY	DATE		PRODUCT CUSTOMER DRAWING
	APPR BY	DATE	SERIES	MATERIAL NUMBER	CUSTOMER	
	MIWASIECZKO	2016/12/06	120065	SEE SHEET 3		
	DRAWING SIZE	THIRD ANGLE PROJECTION	DOCUMENT NUMBER	DOC TYPE	DOC PART	SHEET NUMBER
	A3		1200652251	PSD	00P	2 OF 3

PART LIST

3 POLE - CABLE B30

MOLEX PN	ENGINEERING No	L [mm]
1200652247	803000B30M010	1000
1200652248	803000B30M020	2000
1200652249	803000B30M050	5000
1200652250	803000B30M100	10000
1200659784	803000B30M200	20000

4 POLE - CABLE B30

MOLEX PN	ENGINEERING No	L [mm]
1200652251	804000B30M010	1000
1200652252	804000B30M020	2000
1200659466	804000B30M030	3000
1200652253	804000B30M050	5000
1200659805	804000B30M075	7500
1200659788	804000B30M085	8500
1200659806	804000B30M098	9800
1200652254	804000B30M100	10000
1200659400	804000B30M150	15000
1200659467	804000B30M200	20000
1200659468	804000B30M250	25000
1200659469	804000B30M300	30000

4 POLE - CABLE B33

MOLEX PN	ENGINEERING No	L [mm]
1200659966	804000B33M005	500
1200659967	804000B33M010	1000
1200659456	804000B33M020	2000
1200659968	804000B33M030	3000
1200659969	804000B33M040	4000
1200659970	804000B33M050	5000
1200659461	804000B33M100	1000

4 POLE - CABLE B36

MOLEX PN	ENGINEERING No	L [mm]
1200659429	804000B36M0207Y	2000
1200659430	804000B36M0507Y	5000
1200659431	804000B36M1007Y	10000

5 POLE - CABLE B33

MOLEX PN	ENGINEERING No	L [mm]
1200659457	805000B33M020	2000
1200659462	805000B33M100	10000

5 POLE - CABLE B30

MOLEX PN	ENGINEERING No	L [mm]
1200659963	805000B30M006	600
1200659518	805000B30M010	1000
1200659519	805000B30M020	2000
1200659984	805000B30M0207	2000
1200659520	805000B30M050	5000
1200659521	805000B30M100	10000
1200656214	805000B30M150	15000

5 POLE - CABLE B39

MOLEX PN	ENGINEERING No	L [mm]
1200656042	805000B39M050	5000


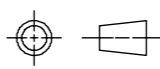
5 POLE - CABLE B42

MOLEX PN	ENGINEERING No	L [mm]
1200652255	805000B42M010	1000
1200652256	805000B42M020	2000
1200652257	805000B42M050	5000
1200652258	805000B42M100	10000
1200659543	805000B42M200	20000
1200659544	805000B42M300	30000
1200656062	805000B42M005	500

8 POLE - CABLE B41

MOLEX PN	ENGINEERING No	L [mm]
1200652306	808000B41M010	1000
1200659458	808000B41M020	2000
1200659777	808000B41M030	3000
1200652308	808000B41M050	5000
1200659463	808000B41M100	10000
1200656044	808000B41M150	15000
1200659734	808000B41M200	20000

THIS DRAWING CONTAINS INFORMATION THAT IS PROPRIETARY TO MOLEX ELECTRONIC TECHNOLOGIES, LLC AND SHOULD NOT BE USED WITHOUT WRITTEN PERMISSION

EC NO: 171147 DRWN: GMAJCHER CHK'D: MIWASIECZKO APPR: MIWASIECZKO	2018/01/19	GENERAL TOLERANCES (UNLESS SPECIFIED) ANGULAR TOL ± ° 4 PLACES ± 3 PLACES ± 2 PLACES ± 1 PLACE ± 0 PLACES ± DRAFT WHERE APPLICABLE MUST REMAIN WITHIN DIMENSIONS	DIMENSION UNITS	SCALE				
	2018/01/23		mm	1:1				
	2018/01/23		DRWN BY	DATE		AKONDRACIUK 2016/11/26		
			CHK'D BY	DATE				
			APPR BY	DATE	PRODUCT CUSTOMER DRAWING			
			MIWASIECZKO	2016/12/06	SERIES	MATERIAL NUMBER	CUSTOMER	
			DRAWING SIZE	THIRD ANGLE PROJECTION	120065	SEE PART LIST		
			A3		DOCUMENT NUMBER	DOC TYPE	DOC PART	SHEET NUMBER
					1200652251	PSD	00P	3 OF 3